

Elas 120 LT Bin with 1 Swing Lid S1M 120 LT

Dino Bin is an ideal solution to better support waste disposal management.

Feature:

- Produced by HDPE
- Sturdy
- Stabilized against UV
- High impact chemical substances.
- Easy Cleaning
- Convenient usage
- Wheel move smoothly

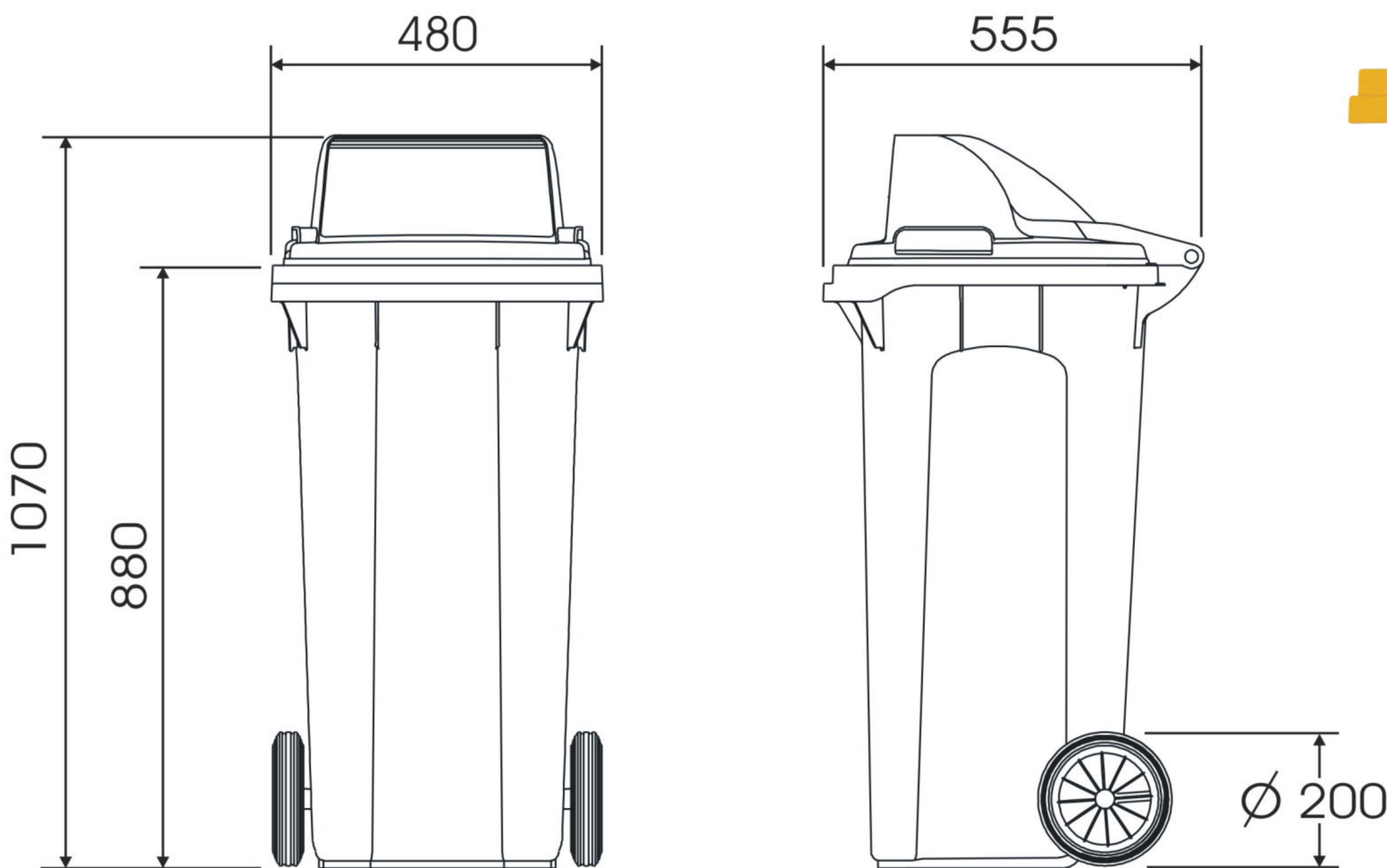
Product Specification

Item No	: S1M 120 LT
Description	: Elas 120 LT Bin with 1 Swing Lid
Size W x L x H	: 480 x 555 x 1070 mm
Wheel Dia	: 200 mm
Weight	: 10.90 (+ / - 1 kg) kg
Material	: HDPE
Colour	: Green, Yellow, Dark Blue, Red, Grey
Capacity	: 120 LT.

Container Loading

20"	: 384	pcs
40"	: 768	pcs
40 HQ	: 960	pcs

Technical Drawing



WINNER INTER PLAS CO., LTD.

71, 71/1 MU 2 THEPNIMIT-LANTAKPHA RD., SALAYA, PUTHAMONTHON, NAKORNPHATHOM 731 70 THAILAND